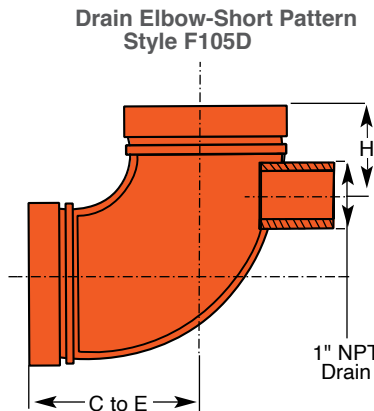
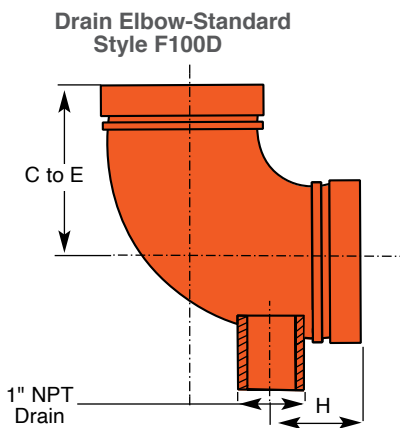


STANDARD DRAIN ELBOW STYLE F100D & F105D



UL Listed Under File No. EX15591

- Provides 1" NPT drain required on some fire protection stand pipes
- Smoother flow than fabricated segmented steel elbows
- Made of ductile iron conforming to ASTM A536
- Every lot is metallurgically tested to insure compliance
- Available with hot dipped galvanized coating
- Pressure rating of 300 psi



FLOW DATA Equivalent Feet of Straight Pipe		
Nominal Size (In.)	90° Elbow	
	STD	Short Pattern
2	3.5	3.2
2½	4.3	3.9
3	5.0	4.8
4	6.8	6.5
6	10.0	10.0

Flow data is based upon the pressure drop of Sch. 40 pipe.

Drain Elbow-Standard - Style F100D

Pipe		Dimensions (In.)		Approx. Wgt. Ea. (Lb.)
Nominal Size (In.)	Actual Size (In.)	C to E	H	
2	2.375	3.25	2.75	3.8
2½	2.875	3.75	2.75	5.2
3	3.500	4.25	2.75	5.3
4	4.500	5.00	2.75	8.8
6	6.625	6.50	2.75	18.7

Drain Elbow-Short Pattern - Style F105D

Pipe		Dimensions (In.)		Approx. Wgt. Ea. (Lb.)
Nominal Size (In.)	Actual Size (In.)	C to E	H	
2	2.375	2.75	2.00	1.0
2½	2.875	3.00	2.00	1.7
3	3.500	3.50	2.00	2.5
4	4.500	4.00	2.00	5.3
6	6.625	5.50	2.00	13.9

NOTES: Allowable pipe end separation is for cut groove pipe for roll groove, figures will be one-half of the values listed at time of initial pressurization. □ - Bolts and Nuts are galvanized. * - Maximum pressure including surges and maximum end loads from all internal and external forces, to which a joint could be subject under normal working conditions. This rating provides a nominal safety factor of 1.5 times working pressure based on standard weight steel pipe. Maximum working pressure may be subjected to TRI Seal gaskets are recommended. EPDM gasket is supplied as standard. For other gaskets contact us.